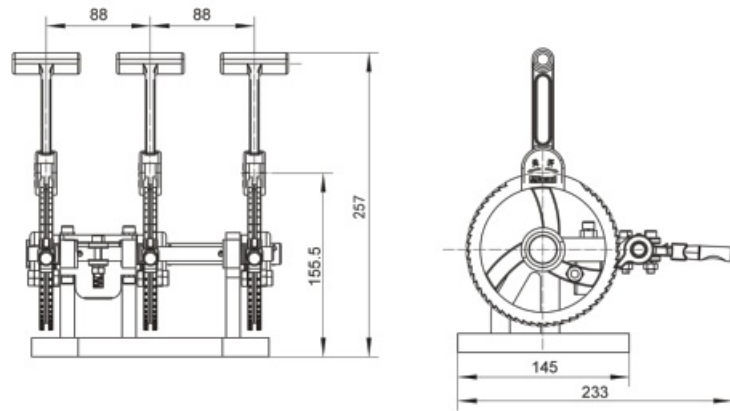




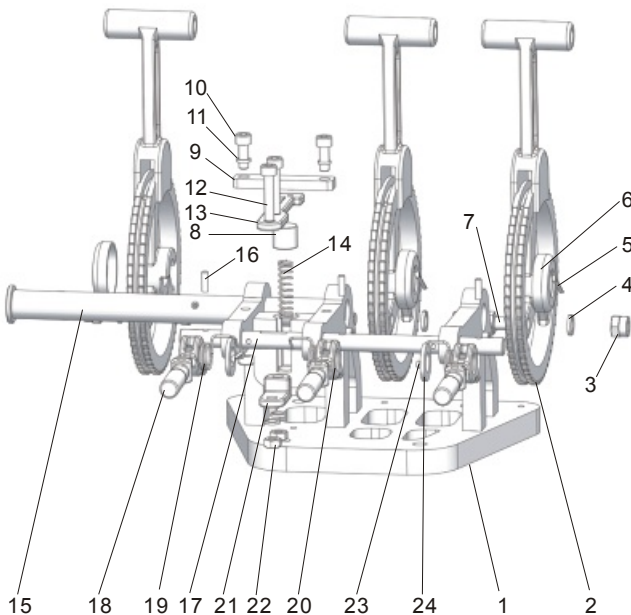
Part No.: YK070002-01-00
Contact Parts: 304

LPG Remote Control Device (Three Ratchet) is used for remote control of liquid and gas valves in LPG/LNG liquid tank. This product can realize remote control of three valves and emergency cut-off function at the same time. In addition, double ratchet LPG remote control device can be selected.

Fitting Details



Part Drawing



Item	Part No.	Description
1	YK070002-01-01-00	Pedestal Assembly
2	YK070001-01-02	Ratchet
3	85985500M8	Nut
4	8599110008	Spring Washer
5	859860002.5*25	Split Pin
6	YK070001-01-09	Stuffing Clamp
7	YK070001-01-10	Drilling Bolts
8	YK070002-01-06	Spring Block
9	YK070002-01-05	Locating Plate
10	85988100M6*16	内六角圆柱头螺栓 Bolts
11	8599110006	Spring Washer
12	85988100M6*30	Bolts
13	YK070002-01-03	Limited Block1
14	YK070002-01-09	Pressure Spring
15	YK070002-01-07	Ratchet Bottom Bracket
16	GB/T77-2007	Bolt
17	YK070002-01-08	Handle Linkage Shaft
18	YK070002-01-02	Handle
19	YK070002-01-10	TorsionalSpring 1
20	YK070002-01-11	TorsionalSpring 2
21	YK070002-01-04	Limited Block2
22	85984400M6	Nut
23	859860002.5*18	Split Pin
24	859860002.5*18	Plain Washer